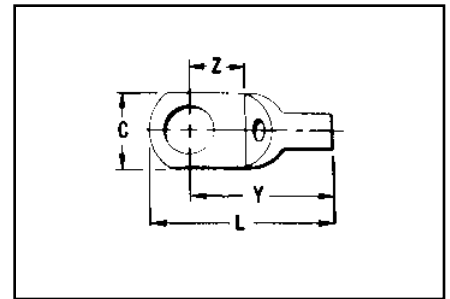
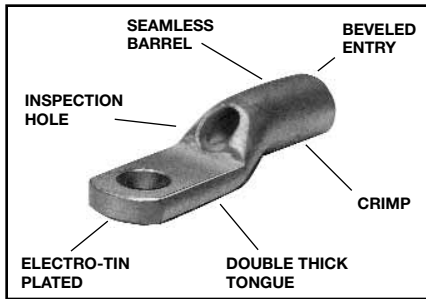


TYPES YAV-L BOX AND YAV-L

HYLUG™

Large Size Uninsulated Compression Terminals
Seamless Uninsulated Compression Ring Tongue Terminal

#8-4/0 Str. Copper



HYLUG™ Type YAV is a seamless, heavy duty uninsulated compression terminal manufactured from electrolytic copper and is for use on Type AN aircraft cable, extra flexible conductors and commercial (code) conductors. The seamless tubing produces a double thick tongue and seamless barrel design

provides a strong connector for demanding applications requiring high reliability.

Applications include aircraft, industrials, hospitals, electric utilities, marine, computers, and other equipment subject to vibration or requiring dependable electrical performance.

The YAV HYLUG™ terminals meet the requirements of SAE-AS7928 and are listed per AS20659 for use with copper aircraft cable per MIL-W-5086

The benefits of YAV-L connectors are the same as YAV connectors for stranded conductors.

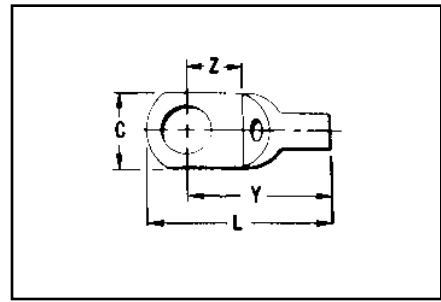
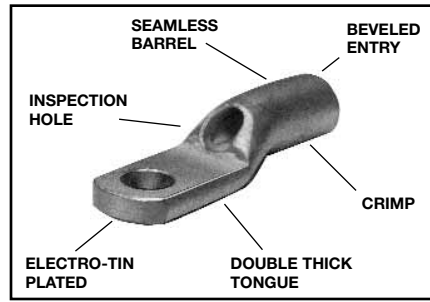
Catalog Number	Wire Range	Stud Size	MS20659 Dash No.†	Dimensions (Inches)				Bulk Catalog Number	Installation Tooling				Wire Strip Length	
				C	L Max.	Y Max.	Z Min.		HYTOOL™ ■	Die Index	HYPRESS™			
											Y29B, Y29NC	Y35, Y39, Y750 ▲		
—	8 Aircraft	6-8	-140	.41	1.15	.94	.28	YAV8C-L14•	Non-Ratchet: MY29-11 Ratchet: MR4C, MR8-9Q, Y8MRB-1, M8ND w/ N8CT Die Set	38	DV8L-1 Nest Y29PL Indentor (1) Crimp	UV8L Nest Y34PL Indentor (1) Crimp	1/2"	
YAV8C-L BOX		8-10	-107	.41	1.15	.94	.28	YAV8C-L•						
YAV8C-L1 BOX		1/4	-141	.46	1.22	.99	.32	YAV8C-L1•						
YAV8C-L2 BOX		AN 8	5/16	-108	.57	1.30	1.01	.34						YAV8C-L2
YAV8C-L3 BOX		Flex	3/8	-129	.57	1.30	1.01	.34						YAV8C-L3•
YAV8C-L4 BOX		1/2	-142	.73	1.52	1.14	.48	YAV8C-L4•						
YAV6C-L1 BOX	5 & 6 Aircraft	8-10	-130	.48	1.31	1.06	.29	YAV6C-L1•	Non-Ratchet: MY28, MY29-11 Ratchet: MR4C	39	DV6L Nest Y29PL Indentor (1) Crimp	UV6L Nest Y34PLA Indentor (1) Crimp	1/2"	
YAV6C-L BOX		1/4	-109	.48	1.31	1.06	.29	YAV6C-L•						
YAV6C-L4 BOX		AN 5 & 6	5/16	-131	.60	1.43	1.13	.35						YAV6C-L4•
YAV6C-L2 BOX		Flex	3/8	-110	.60	1.43	1.13	.35						YAV6C-L2•
YAV6C-L10 BOX			1/2	-143	.73	1.64	1.26	.49						YAV6C-L10
YAV4C-L3 BOX	4 Aircraft	8-10	-144	.55	1.37	1.11	.28	YAV4C-L3•	Non-Ratchet: MY28, MY29-11 Ratchet: MR4C	40	DV4L Nest Y29PL Indentor (1) Crimp	UV4L Nest Y34PLA Indentor (1) Crimp	1/2"	
YAV4C-L BOX		1/4	-111	.55	1.37	1.11	.28	YAV4C-L						
YAV4C-L4 BOX		AN 4	5/16	-132	.63	1.48	1.17	.33						YAV4C-L4•
YAV4C-L2 BOX		Flex	3/8	-112	.63	1.48	1.17	.33						YAV4C-L2•
YAV4C-L5 BOX			1/2	-145	.73	1.68	1.30	.47						YAV4C-L5
—	2 Aircraft	8-10	-146	.69	1.72	1.37	.35	YAV2C-L3	Non-Ratchet: MY28, MY29-11	41	DV2L Nest Y29PL Indentor (1) Crimp	UV2L Nest Y34PLA Indentor (1) Crimp	5/8"	
YAV2C-L1 BOX		1/4	-113	.69	1.72	1.37	.35	YAV2C-L1•						
YAV2C-L2 BOX		AN 2	5/16	-147	.69	1.72	1.37	.35						YAV2C-L2•
YAV2C-L BOX		Flex	3/8	-114	.69	1.72	1.37	.35						YAV2C-L•
YAV2C-L4 BOX			1/2	-133	.77	1.89	1.49	.46						YAV2C-L4

† Class 1.
• Available in (90°) right angle design. Suffix "RS" Replaces Suffix "L".
▲ Use Y35P3 Indentor Adapter with Y35 and Y39 Tool.

■ Bench Mount Adapter - Cat. BMY-BCH-MT is available for Type "MY" HYTOOLS™. Add "NK" suffix for nickel plated HYLUGs™ for high temperature applications up to 650° F continuous service and 750° intermittent service.

TYPES YAV-L BOX AND YAV-L
(Continued)

HYLUG™



Catalog Number	Wire Range	Stud Size	MS20659 Dash No.†	Dimensions (Inches)				Bulk Catalog Number	Installation Tooling			Wire Strip Length	
				C	L	Y	Z		■ HYTOOL™	HYPRESS™			
										Die Index	Y29B, Y29NC		Y35, Y39, Y750 ▲
—	1 Aircraft AN 1 Flex	8-10	—	.76	1.67	1.32	.25	Non-Ratchet: MY28, MY29-11	42	DV1L Nest Y29PL Indentor (1) Crimp	UV1L Nest Y34PLA Indentor (1) Crimp	5/8"	
YAV1C-L1 BOX		1/4	-115	.76	1.84	1.45	.38						YAV1C-L1•
YAV1C-L2 BOX		5/16	-149	.76	1.84	1.45	.38						YAV1C-L2•
YAV1C-L BOX		3/8	-116	.76	1.84	1.45	.38						YAV1C-L
YAV1C-L3 BOX	1/2	-134	.86	1.97	1.54	.46	YAV1C-L3						
YAV25-L1 BOX	1/0 Aircraft AN 1/0 Flex	1/4	-117	.83	2.01	1.61	.43		YAV25-L1	43	DV25L Nest Y29PR Indentor (1) Crimp	UV25L Nest Y34PA Indentor (1) Crimp	11/16"
YAV25-L2 BOX		5/16	-151	.83	2.01	1.61	.43		YAV25-L2				
YAV25-L BOX		3/8	-118	.83	2.01	1.61	.43		YAV25-L•				
YAV25-L3 BOX		1/2	-135	.88	2.09	1.64	.46		YAV25-L3•				
YAV25-L4 BOX	5/8	—	.88	2.31	1.80	.62	YAV25-L4						
YAV26-L1 BOX	2/0 Aircraft AN 2/0 Flex	1/4	-153	.93	2.32	1.85	.48		YAV26-L1	44	DV26L Nest Y29PR Indentor (1) Crimp	UV26L Nest Y34PA Indentor (1) Crimp	13/16"
YAV26-L2 BOX		5/16	-119	.93	2.32	1.85	.48		YAV26-L2				
YAV26-L BOX		3/8	-120	.93	2.32	1.85	.48		YAV26-L•				
YAV26-L3 BOX		1/2	-136	.93	2.32	1.85	.48		YAV26-L3•				
YAV26-L12 BOX	5/8	—	.93	2.52	1.99	.62	YAV26-L12						
YAV27-L BOX	3/0 Aircraft AN 3/0 Flex	3/8	-121	1.03	2.45	1.93	.52		YAV27-L•	45	—	UV27L Nest Y34PA Indentor (1) Crimp	13/16"
YAV27-L1 BOX		1/2	-122	1.03	2.45	1.93	.52	YAV27-L1					
YAV27-L15 BOX	5/8	—	1.03	2.60	2.04	.62	YAV27-L15						
YAV28-L BOX	4/0 Aircraft	3/8	-123	1.12	2.72	2.16	.60	YAV28-L	46	—	UV28L Nest Y34PA Indentor (1) Crimp	7/8"	
YAV28-L12 BOX	1/2	-124	1.12	2.72	2.16	.60	YAV28-L12						
YAV28-L13 BOX	5/8	-159	1.12	2.72	2.16	.60	YAV28-L13						
YAV28-L14 BOX	3/4 Flex	-160	1.23	2.95	2.33	.78	YAV28-L14						

† Class 1.
• Available in (90°) right angle design. Suffix "RS" replaces suffix "L".
▲ Use Y35P3 Indentor Adapter with Y35 and Y39 tool.

■ Bench Mount Adapter - Cat. BMY-BCH-MT is available for Type "MY" HYTOOLS™. Add "NK" suffix for nickel plated HYLUGs™ for high temperature applications up to 650° F continuous service and 750° intermittent service.

Blue highlighted items are industry standard and most frequently ordered.